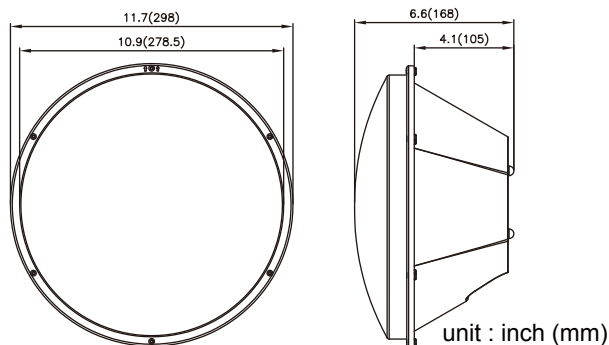
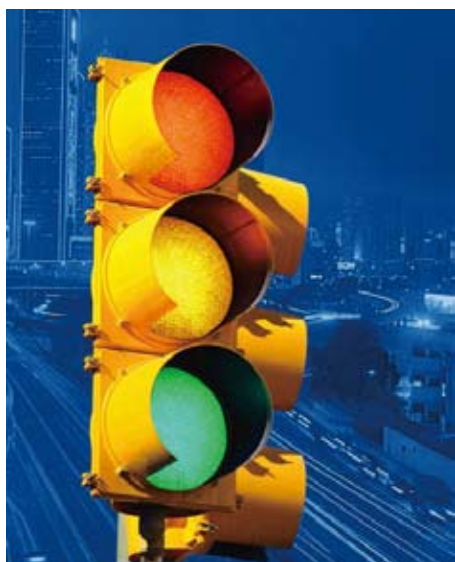




# 12 Inches Incandescent Look LED Traffic Signals



## Features / Benefits

- Meets latest ITE 2005 standards
- High-Flux LED Technology with high efficiency
- Uniform non-pixelated illumination with "incandescent look"
- 90% reduction in power consumption vs. incandescent
- Long life; up to 10 times longer than incandescent
- Expanded view light distribution pattern suitable for span wire and fixed wire
- Easy to install with existing signal enclosure

## Specifications

- Operation temperature range: -40°C to +74°C
- Operation voltage from 80 to 135 VAC RMS
- Power factor greater than 0.9
- Total Harmonics Distortion < 20%
- Turn on/ Turn off time < 75 msec
- Luminous Intensity and Color conforms with ITE VTCSH-LED
- Circular Signal Supplement
- Conform to MIL-STD-810F for blowing rain
- Conform to MIL-STD-883, Test Method 2007 for mechanical vibration
- Conform to MIL-STD-883, Test Method 1010, for temperature cycling requirements
- Meet FCC Title 47, Subpart B Section 15 Regulations for electrical noise
- UV stabilized scratch resistant shell
- Fuse and transient suppressor incorporated for line and load protection

## Tinted Lens Series

Color	Model Number	Dimension	Power Consumption Typical(Watt)	Dominant Wavelength Typical(nm)	Peak Minimum Maintained Luminous Intensity (cd)	Meet ITE 2005 Spec.
Red	TRV-R12SG-D2T	12" / 300 mm	7.7	623	365	✓
Amber	TRV-Y12SG-D1T	12" / 300 mm	17.5	590	910	✓
Green	TRV-G12SG-D2T	12" / 300 mm	12	500	475	✓

## Clear Lens Series

Color	Model Number	Dimension	Power Consumption Typical(Watt)	Dominant Wavelength Typical(nm)	Peak Minimum Maintained Luminous Intensity (cd)	Meet ITE 2005 Spec.
Red	TRV-R12SG-D2T-C	12" / 300 mm	7.7	623	365	✓
Amber	TRV-Y12SG-D1T-C	12" / 300 mm	17.5	590	910	✓
Green	TRV-G12SG-D2T-C	12" / 300 mm	12	500	475	✓

**EOI** EXCELLENCE OPTO. INC.  
EOI Group

### Address

1400 W. Lambert Road, Suite B, Brea, CA, 92821, U.S.A.  
Tel : 562-694-1246 Fax: 562-691-3087  
E-mail: Sales@eoius.com http://www.eoi-us.com

