



# LED Pedestrian Signals



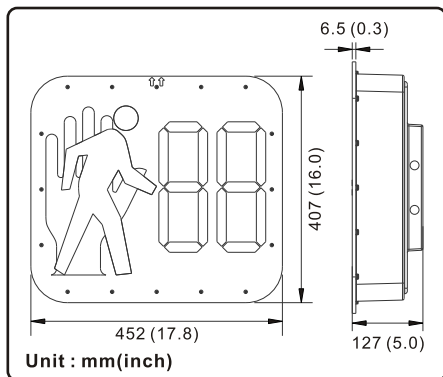
## Features / Benefits

- Meets the 2010 PTCSI ITE, Specifications and the 2009 MUTCD
- High efficiency & long life LED light source
- Failure of a single LED in the Hand and Man icons results in loss of light from that LED only
- Automatically adjusts to the programmed intervals of the traffic controller
- Easy to install with existing signal enclosure
- Remain time counter is smart learning type with programmed software to recognize preemption and reaction time by pedestrian recycling
- 9 inches 2-row countdown digits, 2-digit, for maximum visibility
- Portland Orange for Hand and Countdown digits, Lunar White for Man

## Specifications

- Operating Voltage Range: 80 VAC to 135 VAC ( 120VAC nominal )
- Operating Temperature Range: - 40 °C to +74 °C
- Power Factor > 0.9
- Total Harmonic Distortion < 20%
- Meets FCC Title 47, Subpart B, Section 15 regulations for electrical noise.
- Conforms to MIL-STD-810F for rain and blowing rain
- Conforms to MIL-STD-883, Test Method 1010, for temperature cycling requirements
- Conforms to MIL-STD-883, Test Method 2007, for mechanical vibration

## 16" x 18" Incandescent Look Pedestrian Countdown signal



- Dimension : 407 x 452 mm (16"x18")

Model Number	Hand		Person		Countdown	
	Symbol	Luminance ( cd/m <sup>2</sup> )	Symbol	Luminance ( cd/m <sup>2</sup> )	Symbol (2 Rows)	Luminance ( cd/m <sup>2</sup> )
TRP-C45D3154C10	Full	1400 ~ 4200	Full	2200 ~ 6600	9 x 7 Inches	1400 ~ 4200

Model Number	Power Consumption ( Watt ) ( Typ. )			Meet spec
	Head	Person	Countdown (Digit)	ITE
TRP-C45D3154C10	9	9	7.5	✓